

BLD-300B Brushless DC Motor Drive



Description

The BLD-300B BLDC motor drive is a high performance, cost-effective 3 phase BLDC motor drive, which can provide power output Max 300VA. The design is based on advanced DSP technology and feature high torque low noise, low vibration, PID speed loop, PID current loop, over current protection, over load protection and a combined use of manual speed adjustment and automatic speed adjustment.

Connection Definition

Mark	Definition
DC+/DC-	DC Power Input (DC24V~DC48V)
U,V,W	Motor Lead Wire
Hu,Hv,Hw	Hall Sensor Lead Wire
REF+	Hall Sensor Power Supply +
REF-	Hall Sensor Power Supply -
VCC	External Potentiometer Power Supply (Internal Power Supply Only)
SV	External Potentiometer (No Connection When Adjusting Speed With Internal Potentiometer) or Pulse Rate In Note①
COM	Common (Low Level/Ground)
F/R	Direction: Low Level/CCW High Level or No Connection/CW Note ②
EN	Enable: High Level/Stop Low Level/Run Note ②
BRK	Quick Brake: High Level/Stop Low Level/Run Note ②
SPEED	Speed Signal Output
ALARM	Alarm Signal Output

Note①: Potentiometer/10K Ω or analog signal DC 0V~+5V (Change internal switch J1/DC0-10V). Turn off the internal potentiometer RV when using an external potentiometer to adjust the motor speed.

Note②: High level/5V (5mA)

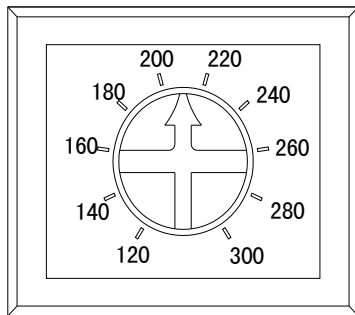
Electrical Specifications

Parameter	Min	Rated	Max	Unit
-----------	-----	-------	-----	------

Motor Hall Sensor Angle	120°/240°			
DC Power Input	18	48	50	V
Drive Current Output	0	15	35	A
Suitable Motor Speed	0		20000	rpm
Hall Sensor Voltage	4.5	5	5.5	V
Hall Sensor Current		20		mA
External Potentiometer		10K		Ω

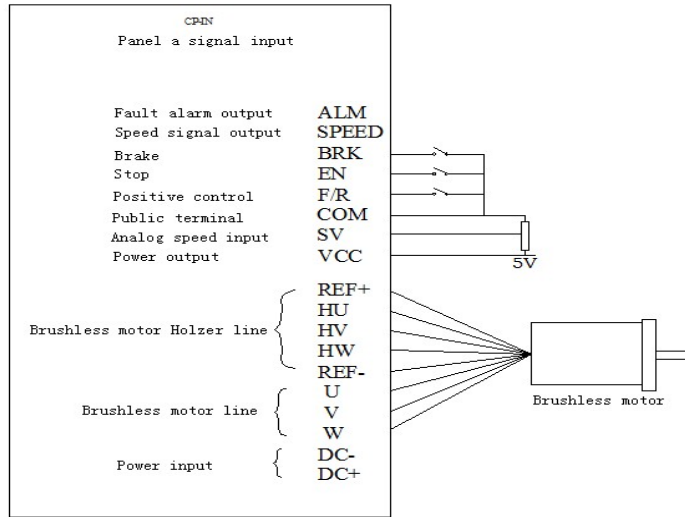
Peak Power Output Setting:

P-sv Tune Unit:W

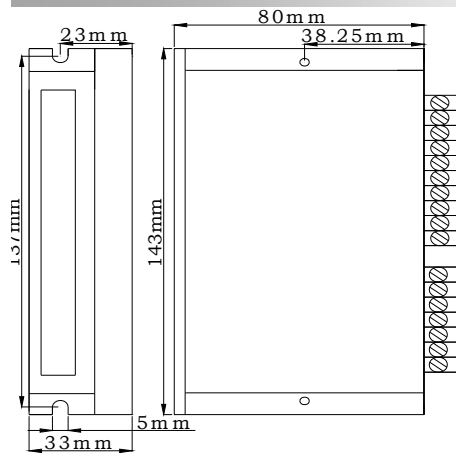


Note: To protect the motor, set the arrow number as the same as the motor nominated power. Whenever overload occurs the drive will turn out to be the protection mode.

Connection:



Mechanical Drawings:



Speed Adjustment Instruction:

- **Motor Speed Adjusted By The Internal Potentiometer RV:**

When using an external potentiometer speed control (potentiometer center tap connected to SV, a termination REF +, the other end of COM) (internal potentiometer RV Close)

Use an external analog voltage 0 ~ 5V input motor speed adjustment: (internal potentiometer RV Close)

Use an external 0 ~ 10V analog voltage input for motor speed regulation: (internal potentiometer RV closed, appropriate adjustments SV CONTROL precision potentiometers)

using an external PWM input for motor speed adjustment: pulse duty cycle of 10% -90 % , the speed linear regulator . Pulse frequency : 1K-10KHZ, pulse amplitude : 5V (internal potentiometer RV Close)

PID closed-loop control of the motor drive fast response settings: OP / CL short (user settings): PID closed-loop control - Motor rapid response

OP / CL OFF (factory setting) : No PID closed loop control - motor common response

- **Motor Speed Signal Output:**

Connecting SPEED and COM to get pulse output $F=N*P/60$

F—Pulse output frequency

P—Pole number of BLDC motor

- **Drive Alarm Output:**

When drive alarm, it will break over with the port of COM and be low level. The drive stop to work and alarm light run.

- **Lead Wire Connection:** Take care of the sequence of U,V,W

Motor Parameter set by ICAN BLDP-01 (Optional) :

- **RS232 Communication Interface CP-in**

The BLD-300B BLDC motor drive support RS232 communication

Protocol to set motor run-up time, etc. When choose ICAN BLDP-01 as host controller, the operating process and instruction as below:

- **ICAN BLDP-01 Motor Setting Panel Operating Process:**
Connect to CP-in (BLD-300B)

BLDP-01 Parameter Setting Table:

Function code	Mode	Setting range	Unit	Factory setting	Alteration
P000	Control mode	00 BLDP-01 control 01 None Panel control		None Panel control	★
P001	Panel setting speed	0~Rated speed	RPM		★
P002	Run-up time	0.1~9.9	S	0.2	★
P003	Motor pole number setting	1~99	Pole pairs	4	★
P004	CW CCW	01 CW 00 CCW		01	★
P005					Reserved
P006					Reserved

- **BLDP-01 Panel Setting Process:**
 1. Turn on the power supply, press <Set> to stop the motor
 2. Press <▲> or <▼> to choose the mode you need (Press Esc return and motor running)
 3. Press <Set> enter into parameter mode (Press Esc return and motor running)
 4. Press <◀> or <▶> to change the parameter (flashing)
 5. Press <Set> to reserve, parameter stop to flash. Press <Esc> return and motor running.

Panel Protection Mode:

When the system running, panel nixie light shows **Err**×

Err0 represents Over-voltage or Over-temperature protection

Err1 represents Over-current protection

Err2 represents Hall sensor error protection

● **Motor Parameter set by other host controller:**

BLD-300B Communication Protocol (RS232)

1. Communication Interface:

Asynchronous serial communication

Baud rate: 2400

Start bit: 1 bit

Stop bit: 1 bit

Data bit: 8 bits

Even/odd parity: none

Communication interface voltage: 3.3V

2. Communication Protocol:

Function1: Motor speed controlled by drive BLD-750 itself

Communication format : "i"

Instruction: send a character

Function2: Motor speed controlled by host computer

Communication format: "o"

Instruction: send a character

Function3: Motor speed set by host computer

Communication format: "v"0X00, 0X00

Instruction: send a character "v" then two hexadecimal numbers, the high 16bits, the low 16 bits

Function4: run-up time

Communication format: "y" 0X00

Instruction: send "y" then a hexadecimal number