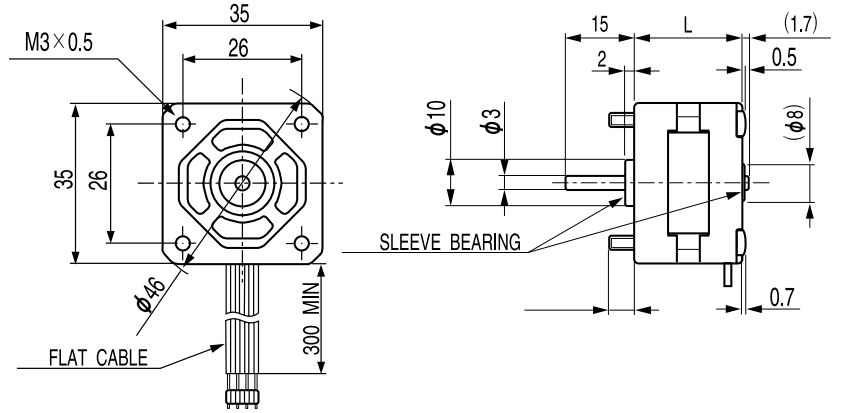


# Stepper Motor Series SST34D

Size 14



4 lead wire  
23.6mm L  
1.8° step

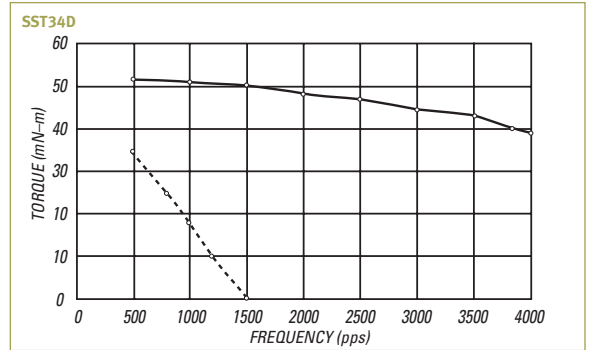


MODEL	STEP ANGLE	VOLTAGE	CURRENT	RESISTANCE	INDUCTANCE	HOLDING TORQUE	ROTOR INERTIA	NUMBER OF LEADS	WEIGHT	DIMENSION
SINGLE SHAFT	DEG.	V	A/Phase	Ω/Phase	mH/Phase	kg-cm	g-cm <sup>2</sup>	LEAD	kg	L
SST34D1070	1.8	2.7	0.7	3.9	4.4	0.6	8.1	4	0.11	24

RoHS compliant

## Typical Performance

— ?Pull Out - - - Pull In



Refer to page 39 for Driver